

54-VARIO EDV-Nr. SA227521



## Dokumente

Motor, Mähwerk-Gehäuse und Auswurf

---

Schnitthöhenverstellung, Räder und Antrieb

---

Führung, Anlasser und Schaltgestänge

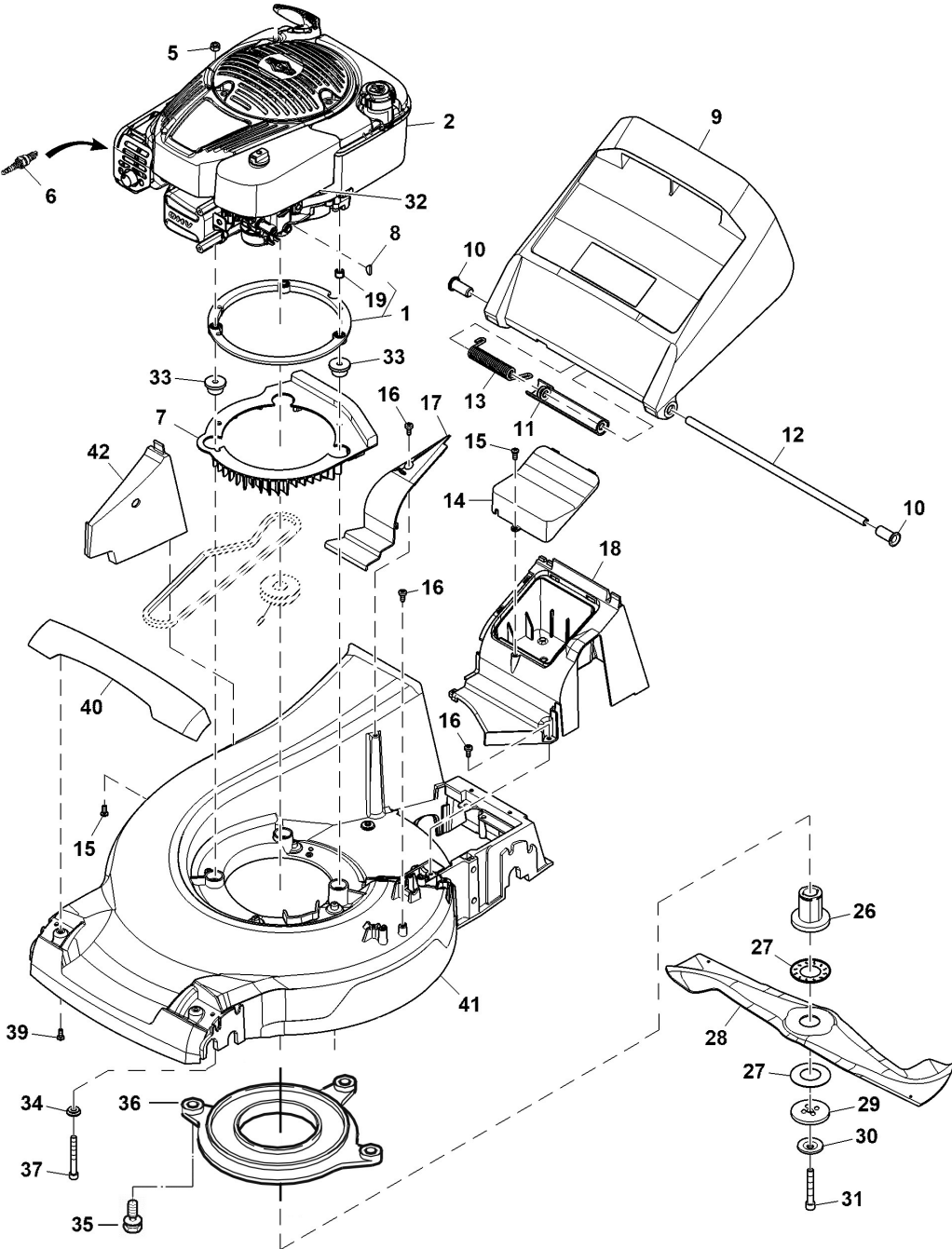
---

Antrieb und Abweiser

---

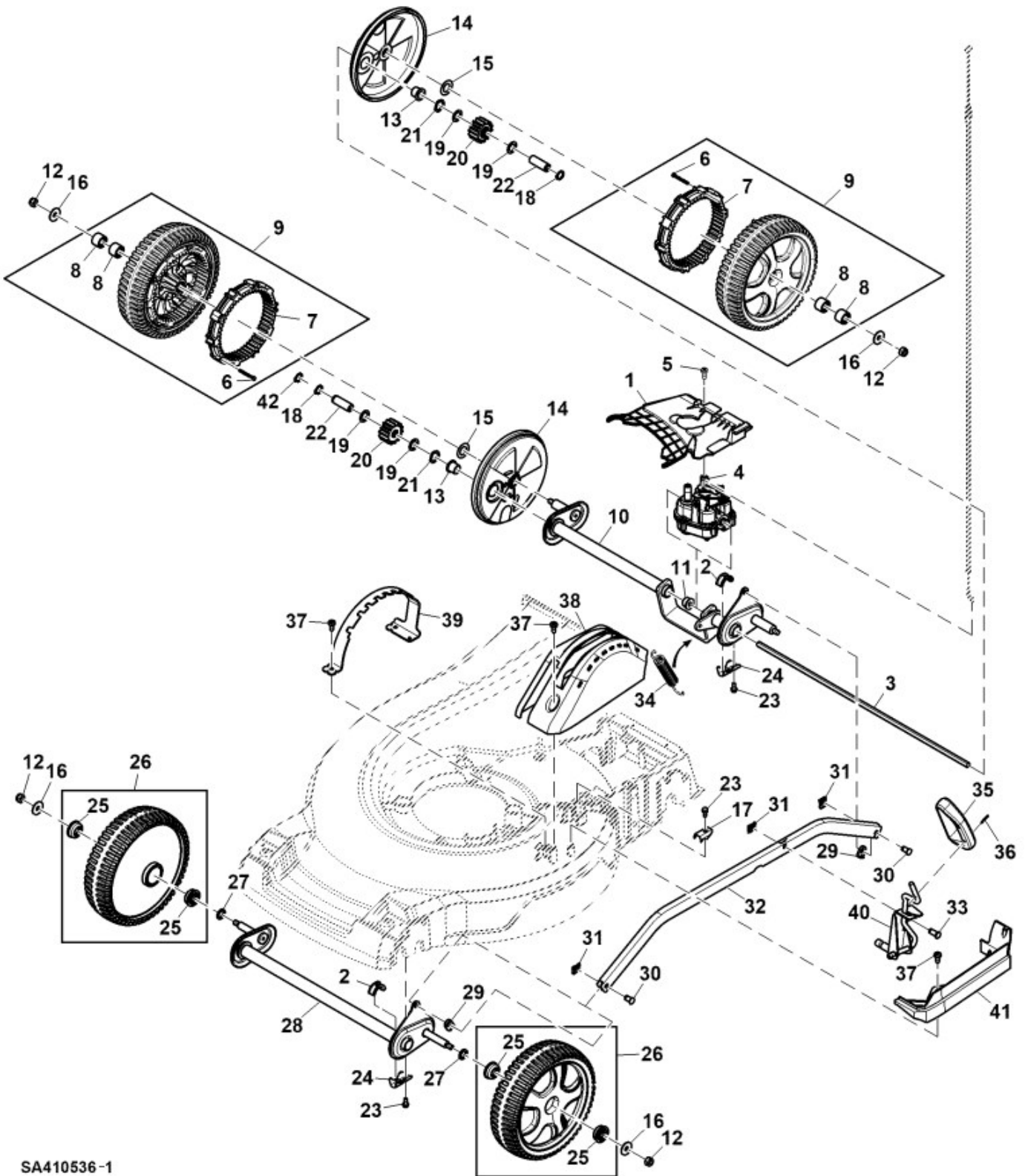
Aufkleber

---



## Illustration Motor, Mähwerk-Gehäuse und Auswurf

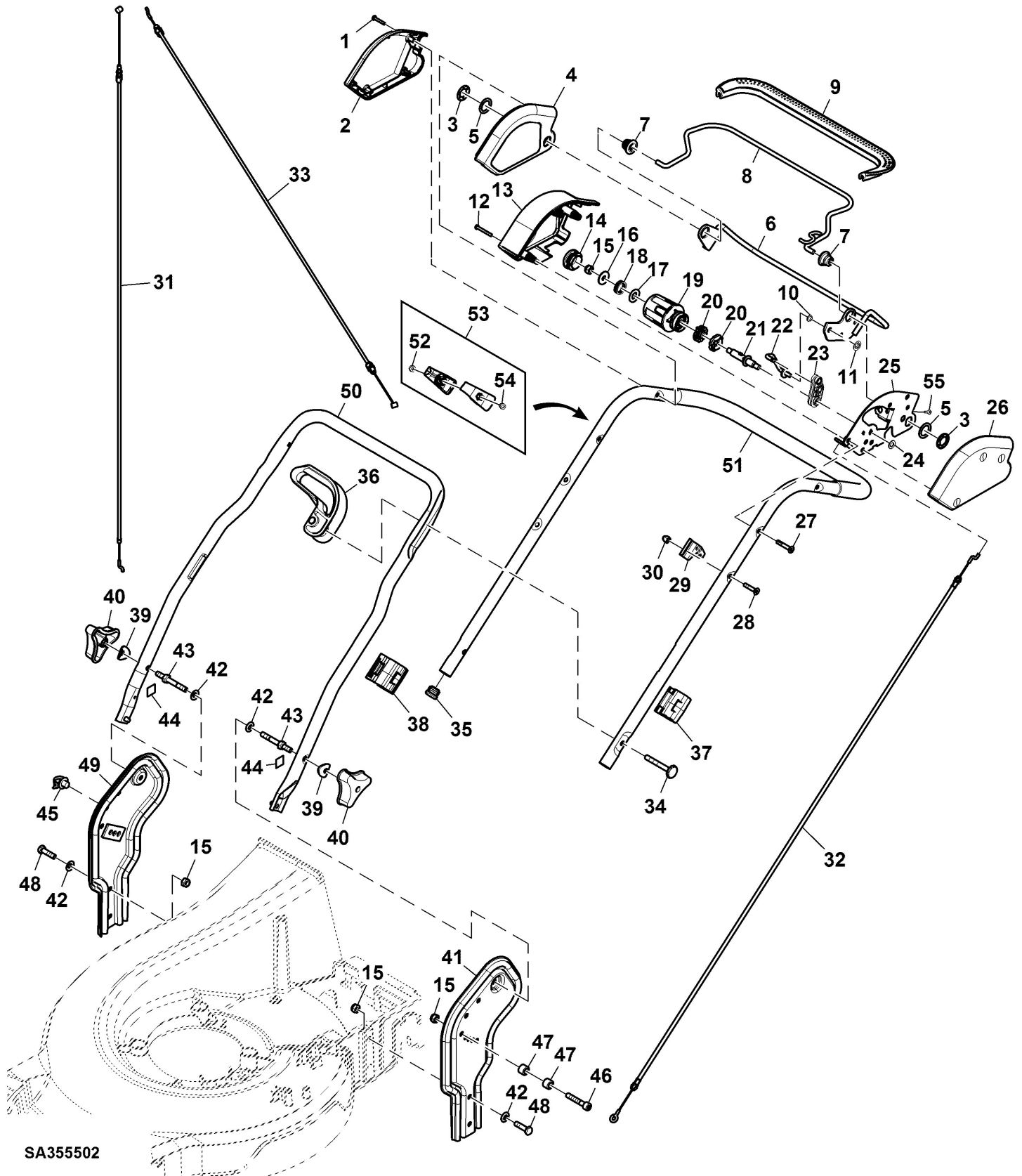
TEIL	STCK.NR	BEZEICHNUNG	STCK.SER-NR.-	-SER-NR.	BEMERKUNG
1	SA36239	RING	1		INCLUDES (3) SA35927
2	SAA12822	BENZINMOTOR	1		
5	SA11998	SICHERUNGSMUTTER	3		M8
6	SAE10005	ZUENDKERZE	1		TORCH F7RTC
7	SAU14588	SCHUTZ	1		
8	SA15967	KEIL	2		4 X 16 MM
9	SAU15704	PRALLSCHUTZ	1		
10	SA36569	LAGER	2		ONLY AVAILABLE AS
11	SA36662	BLLENDE	1		ONLY AVAILABLE AS
12	SA36512	ACHSE	1		PACKAGED SETS
13	SA36572	DREHFEDER	1		
14	SAU16587	DECKEL	1		
15	SA34487	SCHRAUBE	3		K 6 X 14 ONLY AVAILABLE
16	SA34452	SCHRAUBE	4		AS PACKAGED SETS
17	SA36570	DECKEL	1		C M6 X 14 ONLY
18	SAU14848	DECKEL	1		ONLY AVAILABLE AS
19	SA35927	DISTANZSTÜCK	3		PACKAGED SETS
26	SAU12780	FLANSCH	1		8.5 X 16 X 11 ONLY
27	SA35386	BELAG	2		AVAILABLE AS PACKAGED
28	SAA10544	MESSER	1		SETS
29	SA35385	SCHEIBE	1		ONLY AVAILABLE AS
30	SA34499	SCHEIBE	1		PACKAGED SETS
31	SA17490	SCHRAUBE	1		ONLY AVAILABLE AS
32	SAE10006	LUFTFILTER	1		UNF 3 / 8 X 63.5
33	SAU14940	BÜCHSE	3		
34	SAU14941	BÜCHSE	3		
35	SA29854	SCHRAUBE	3		M5 X 12 ONLY AVAILABLE
36	SA30445	ABDECKUNG	1		AS PACKAGED SETS
37	SA30647	SCHRAUBE	2		M8 X 75
39	SAU12827	SCHRAUBE	2		C M6 X 16 ONLY
40	SAA12569	GRIFF	1		
41	SAA11825	GEHÄUSE	1		
42	SA36476	ABDECKUNG	1		
43	SA609	MULCHKIT	1		NOT ILLUSTRATED



SA410536-1

## Illustration Schnitthöhenverstellung, Räder und Antrieb

TEIL	STCK.NR	BEZEICHNUNG	STCK.SER-NR.-	-SER-NR.	BEMERKUNG
1	SAU15820	ABDECKUNG	1		
2	SAU10484	LAGERSCHALE	4		ONLY AVAILABLE AS
3	SAU10829	ANTRIEBSWELLE	1		
4	SAA14005	GETRIEBE	1		
5	SAU12827	SCHRAUBE	2		C M6 X 16 MM ONLY
6	SA33975	SCHRAUBE	10		AVAILABLE AS PACKAGED SETS DUO TAPTITE
7	SAU13506	RITZEL	2		ONLY AVAILABLE AS
8	SA36659	NADELLAGER	4		PACKAGED SETS HK1616
9	SAA11115	RAD KPL. MIT BEREIFUNG	2		210 MM INCLUDES (5)
10	SAA11282	HINTERACHSE	1		SA33975 , (2) SA36659 BEAR
11	SA34285	LAGER	1		ONLY AVAILABLE AS PACKAGED SETS
12	SA11998	SICHERUNGSMUTTER	5		M8
13	SAU12585	BÜCHSE	2		14 X 17 X 15.5 MM ONLY
14	SAU10549	SCHUTZ	2		AVAILABLE AS PACKAGED SETS
15	SA13926	UNTERLEGSCHIEBE	2		16.5 X 28 X 0.5 MM (0.650"
16	SA15213	UNTERLEGSCHIEBE	4		X 1.102" X 0.02") ONLY 8.400 X 7.5 X 7 MM AVAILABLE AS PACKAGED
17	SA36388	KLEMME	1		ONLY AVAILABLE AS
18	SA15864	SPRENGRING	2		PACKAGED SETS 14 X 1 MM ONLY
19	SA13912	SCHEIBE	4		ONLY AVAILABLE AS PACKAGED SETS
20	SAA37273	RITZEL	2		
21	SA13911	FEDERSCHIEBE	2		ONLY AVAILABLE AS PACKAGED SETS
22	SA34284	MITNEHMER	2		
23	SA29854	SCHRAUBE	5		M5 X 12 ONLY AVAILABLE AS PACKAGED SETS
24	SAU10536	KLEMME	4		ONLY AVAILABLE AS
25	SA33229	KUGELLAGER	4		ONLY AVAILABLE AS PACKAGED SETS
26	SAU10537	RAD KPL. MIT BEREIFUNG	2		210 MM INCLUDES (1)
27	SA35229	UNTERLEGSCHIEBE	2		13 X 19 X 1.5 MM (0.512" X
28	SAU10567	VORDERACHSE	1		0.748" X 0.059") ONLY FRONT
29	SAU10819	HALTER	2		AVAILABLE AS PACKAGED
30	SAU16307	BOLZEN	2		ONLY AVAILABLE AS PACKAGED SETS
31	SA35589	FEDERKLEMME	3		8 S X N 59 ONLY
32	SAA12020	VERBINDUNGSSTANGE	1		AVAILABLE AS PACKAGED SETS
33	SAU14840	BOLZEN	1		
34	SA37339	ZUGFEDER	1		ONLY AVAILABLE AS
35	SAU14908	GRIFF	1		
36	SAU15111	SPANNSTIFT	1		2 X 18 MM
37	SA34452	SCHRAUBE	6		M6 X 14 MM ONLY
38	SAU14592	ABDECKUNG	1		AVAILABLE AS PACKAGED SETS DUO TAPTITE
39	SAU14595	SEGMENT	1		
40	SAA11800	HEBEL	1		
41	SAU14591	RAHMEN	1		
42	SA34282	FEDERMUTTER	2		8 MM



SA355502

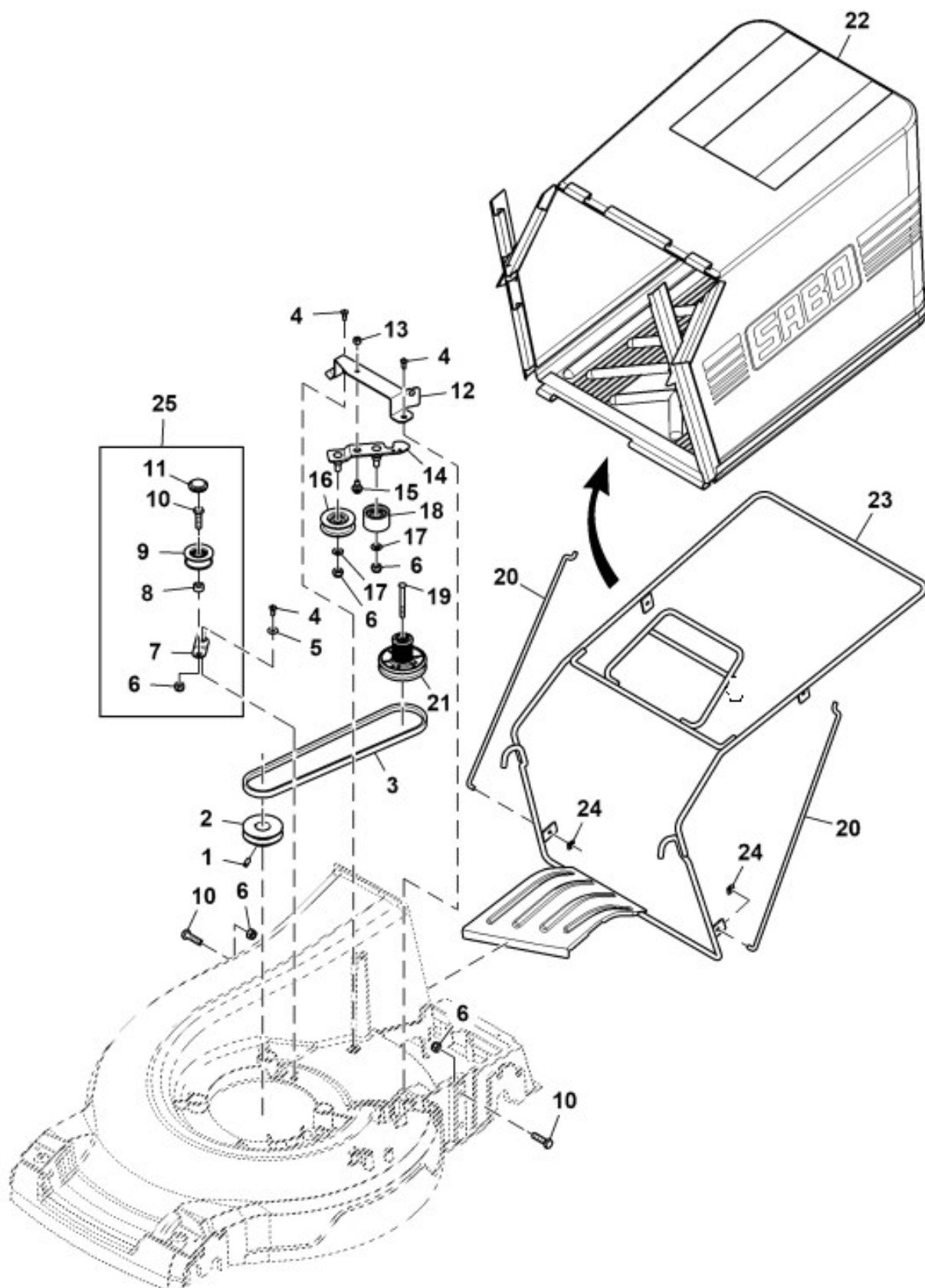
## Illustration Führung, Anlasser und Schaltgestänge

TEIL	STCK.NR	BEZEICHNUNG	STCK.SER-NR.-	-SER-NR.	BEMERKUNG
1	SAU12363	SCHRAUBE	4		4 X 25 MM ONLY
2	SAU12114	ABDECKUNG	1		AVAILABLE AS PACKAGED SETS, RH
3	SA36975	FEDERMUTTER	2		D 16 MM ONLY AVAILABLE AS PACKAGED SETS
4	SAU12115	ABDECKUNG	1		INNER, RH
5	SAU14229	UNTERLEGSCHIEBE	2		20.2 X 28 X 1.5 MM ONLY
6	SAA11400	BÜGEL	1		AVAILABLE AS PACKAGED SETS, FOR GROUND SPEED
7	SAU12643	BÜCHSE	2		
8	SAA11620	BÜGEL	1		INCLUDES SAU14283 ; FOR
9	SAU14283	GRIFF	1		
10	SAU12528	DISTANZSTÜCK	1		
11	SA12973	FEDERMUTTER	1		D 6 ONLY AVAILABLE AS PACKAGED SETS
12	SA16268	SCHRAUBE	3		4 X 32 MM ONLY
13	SAU13039	ABDECKUNG	1		INNER, LH
14	SAU11822	DECKEL	1		ONLY AVAILABLE AS
15	SA11998	SICHERUNGSMUTTER	8		M8
16	SA15213	UNTERLEGSCHIEBE	1		8.400 X 25 X 2 MM
17	SAU13757	UNTERLEGSCHIEBE	1		12.2 X 24 X 1.3 MM
18	SAU13045	FEDER	1		ONLY AVAILABLE AS
19	SAU13139	KNOPF	1		MOVING SPEED
20	SAU13043	SCHEIBE	2		ONLY AVAILABLE AS
21	SAU13044	WELLE	1		
22	SAU13101	STREBE	1		
23	SAU13100	HEBEL	1		ONLY AVAILABLE AS PACKAGED SETS
24	SA15203	UNTERLEGSCHIEBE	1		8.400 X 16 X 1.800 MM
25	SAU14399	BLECH	1		LH
26	SAU16932	ABDECKUNG	1		OUTER, LH
27	SAU11315	SCHRAUBE	2		M6 X 35 ONLY AVAILABLE AS PACKAGED SETS
28	SAU12688	SCHRAUBE	1		M6 X 30 ONLY AVAILABLE
29	SAU13190	HALTER	1		
30	SAU12786	MUTTER	1		M6 ONLY AVAILABLE AS
31	SAU13731	SEILZUG	1		FOR GROUND SPEED
32	SAU17234	SEILZUG	1		DRIVE FOR ENGINE BRAKE
33	SAU14217	SEILZUG	1		FOR MOVING SPEED
34	SAU14835	SCHRAUBE	2		M6 X 50
35	SA34255	STOPFEN	2		ONLY AVAILABLE AS PACKAGED SETS
36	SAA11502	KLEMME	2		
37	SAU16724	KLEMME	1		22 MM
38	SAU13312	KLEMME	1		25 MM
39	SA30444	SCHEIBE	2		ONLY AVAILABLE AS PACKAGED SETS
40	SA29799	MUTTER	2		8 MM
41	SAA36507	HALTER	1		LH
42	SA35420	TELLERFEDER	6		8.4 MM ONLY AVAILABLE
43	SA36986	STIFTSCHRAUBE	2		ONLY AVAILABLE AS PACKAGED SETS
44	SA36668	SCHUTZ	2		ONLY AVAILABLE AS PACKAGED SETS

## Illustration Führung, Anlasser und Schaltgestänge

TEIL	STCK.NR	BEZEICHNUNG	STCK.SER-NR.-	-SER-NR.	BEMERKUNG
45	SAU14083	KABELBINDER	1		
46	SA15572	INNENSECHSKANTSCHRAUBE	1		M8 X 45
47	SA35927	DISTANZSTÜCK	2		8.5 X 16 X 11 ONLY
48	SA15334	SECHSKANTSCHRAUBE	4		AVAILABLE AS PACKAGED M8 X 30 SPTS
49	SA36506	HALTER	1		RH
50	SAA11639	FÜHRUNG	1		LOW
51	SAA12245	LENKSTANGE	1		UP
52	SA11244	SICHERUNGSMUTTER	1		M6
53	SAA11367	FÜHRUNG	1		INCLUDES (1) 14M7165
54	SA15598	SCHRAUBE	1		AND (1) 19M8618 M6 X 12
55	SAU14398	DÄMPFER	1		
56	SAA12204	KLEMME	2		INCLUDES (2) SAA11502 AND (2) SAU14835 ; NOT ILLUSTRATED





SA409017

## Illustration Antrieb und Abweiser

TEIL	STCK.NR	BEZEICHNUNG	STCK.SER-NR.-	-SER-NR.	BEMERKUNG
1	SA15776	STELLSCHRAUBE	1		M6 X 16 ONLY AVAILABLE AS PACKAGED SETS
2	SAU11562	RIEMENSCHLEIBE	1		
3	SAU14059	KEILRIEMEN	1		837 X 10 MM
4	SAU10551	SCHRAUBE	3		M5 X 12 ONLY AVAILABLE
5	SA15229	UNTERLEGSCHLEIBE	1		5.300 X 15 X 1 MM
6	SA11998	SICHERUNGSMUTTER	3		M8
7	SA36999	HALTER	1		ONLY AVAILABLE AS PACKAGED SETS
8	SA37000	DISTANZSTÜCK	1		8.300 X 9.950 X 10 MM
9	SAA36996	SPANNROLLE	1		INCLUDES SA37213
10	SA15334	SECHSKANTSCHRAUBE	1		M8 X 30
11	SA37213	DECKEL	1		ONLY AVAILABLE AS PACKAGED SETS
12	SAU13722	HALTER	1		
13	SA11244	SICHERUNGSMUTTER	1		M6
14	SAU13473	KONSOLE	1		
15	M92004	SECHSKANTSCHRAUBE	1		M6 X 13.300 ONLY AVAILABLE AS PACKAGED SETS
16	SAA15190	SPANNROLLE	1		INCLUDES SAU14896
17	SA15203	UNTERLEGSCHLEIBE	2		8.400 X 16 X 1.600 MM
18	SAA15189	SPANNROLLE	1		INCLUDES SAU14895
19	SAU15658	SCHRAUBE	1		M6 X 60
20	SA36655	STÜTZE	2		NLA; ORDER SAA11608
21	SAA11852	RIEMENSCHLEIBE	1		ASSY ; INCLUDES SAU15658
22	SAA12230	GRASFANGBEHÄLTER	1		
23	SAA11608	RAHMEN	1		INCLUDES SA36655 , SA29724; ASSY ONLY AVAILABLE AS
24	SA29724	FEDERKLEMME	2		
25	SAA37003	FÜHRUNG	1		INCLUDES SA36999 , SA37000 , 19M7513 , 14M7327 , SAA36996 AND SA37213



## Illustration Aufkleber

---

TEIL	STCK.NR	BEZEICHNUNG	STCK.SER-NR.-	-SER-NR.	BEMERKUNG
1	SAU14060	AUFKLEBER	1		
2	SAU16151	AUFKLEBER	1		WARNING
3	SAU17250	AUFKLEBER	1		
4	SAU17263	AUFKLEBER	1		